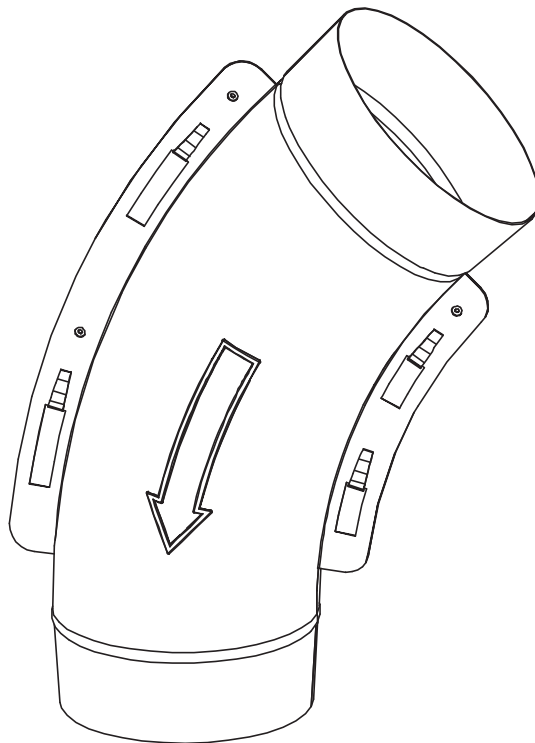
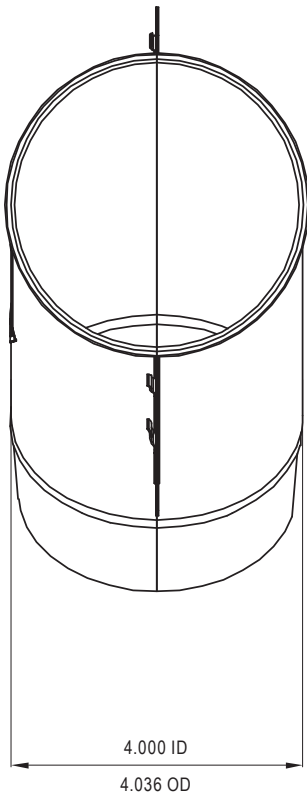
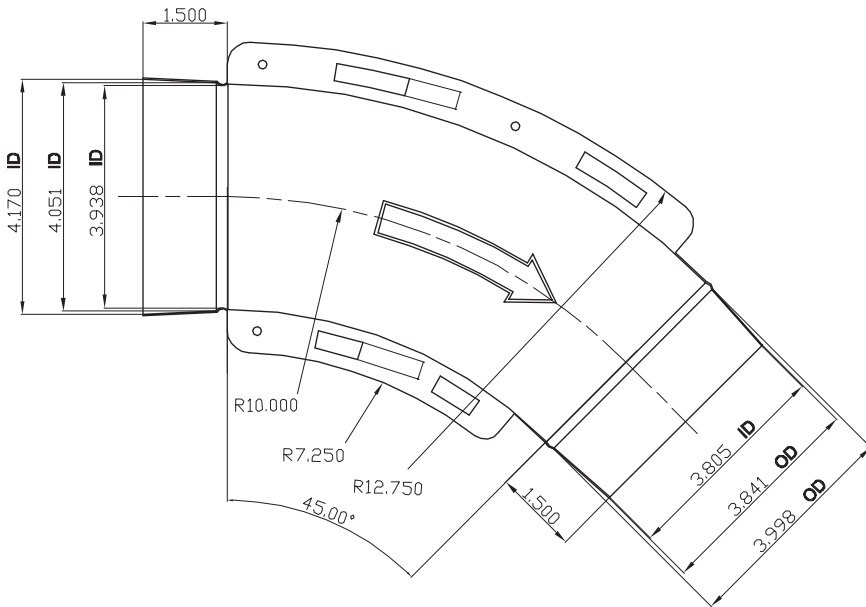




Technical Product Specifications



| SKU | Dimensions |
|------|--|
| LT45 | 4" diameter, 10" radius 9" overall length |

Performance Data

For Use:

- Dryer exhaust fitting (attic or floor joists)
- Replacement to the standard 4" ell
- 45 degree elbow for dryer venting

Materials:

- Deep drawn process made from .018" (26 gauge) aluminized steel
- Distinct male and female ends
- Engineered with ASHRAE methodology
- Engineering evaluation by Underwriters Laboratories proved a 90° elbow to be 500% more efficient than the typical 3.5" radius elbow.

General Information

Benefits:

- Larger radius and smooth interior
- Gain 2.25 feet of duct run
- Increases dryer efficiency
- No 2.5 foot reduction
- Replaces restrictive 3" radius elbow
- Alternative to a booster fan

Features:

- Long turn 45 degree elbow
- 2 piece construction for easy assembly
- 4 fastening tabs for hook and twist assembly
- Secondary securing accomplished with 3 pre-drilled screw holes
- Notch for snaplock pipe material

Manufactured By

In-O-Vate Technologies, Inc.
 810 Saturn Street, Suite 21
 Jupiter, FL 33477
 Phone: (888) 443-7937
 Fax: (561) 745-9723
www.dryer-ell.com